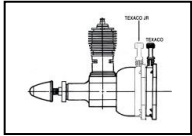


The SAM Thermaleer

Frank Ehling Re-Visited (2006) *Barry Barton*



In it's 21st year of continuous competition, this most sought-after Trophy returned to the land of it's birth; the US of A, and once more SAM 51 has the honour of hosting the event next time around.

SAM 51 has now taken the trophy for the fourth time having won it previously in '89, '93, and 2000, this makes them unique in America despite fears over there that they may have lost it forever to the land Down Under as SAM 600 had also established precedent by retaining the trophy for three consecutive years, albeit in the dubious circumstance of a misreading of the rules last time around.

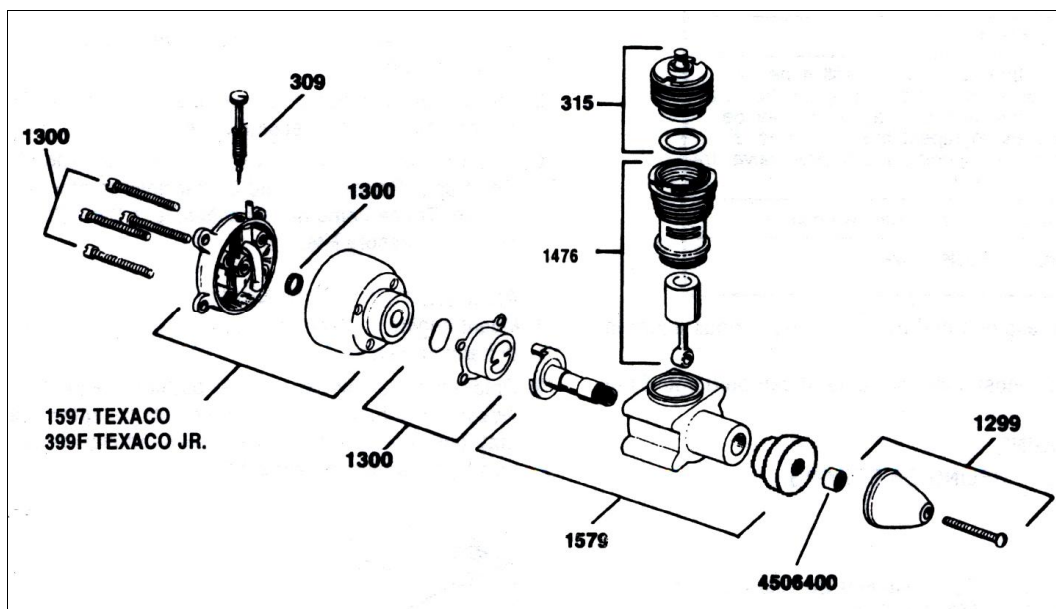
Only three fliers achieved the magic double 15 mins max this time; Eut Tileston, SAM 51 (USA) with his Peerless Cub; Arnold Broese, SAM 84 (Queensland) with his Playboy and Mike Clancy of SAM 27 (USA) with his Dallaire.

The usually ultra-competitive South Australian flier Brian Stebbing; (famous for 10 1/2 oz Stardusts) paid the price of his lightweight building when the added ballast to bring the model up to 8oz per square foot found his wing inadequate. Dave Markwell's spare wing did the trick as Brian very nearly got the magic double, missing out only by a combined tally of eleven seconds, SA still managed second place O/A.

Eight American teams made the effort this time around, four teams from OZ joined the fray whilst two from Italy made up the fourteen. A most welcome addition was the SAM 1788 team led by the legendary Basil Healy, who in the past has posted some competitive scores but has yet to take the pot.

A great competition, well organized as usual by Peter Hosking. Hope many more rise to the challenge next year.

B²



From the SAM600 of Australia web site-28/05/2008-page 1